

YOUNG JIN IND SCRUBBER LINE UP



Technology for the Better Environment, Company for the Better Future

YOUNGJIN IND in Korea can bring you much cleaner global environment by using Plasma Scrubber System. SK hynix Semiconductor & Dongbu Hitek compliment on our High efficient and Eco-friendly system.



www.youngjinind.co.kr

Plasma Gas Scrubber Line Up (1)

- Remove flammable, corrosive and toxic gases, including PFCs generated during semiconductor/LCD panel processing by using thermal plasma.



1. HPS-04M
(2016Y)



2. HPS-04R
(2014Y)



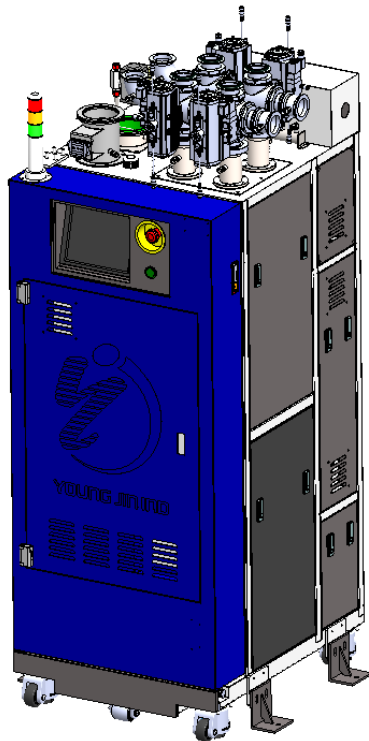
3. HPS-04S
(2012Y)



4. HPS-04
(2006Y)

Plasma Gas Scrubber Line Up (2)

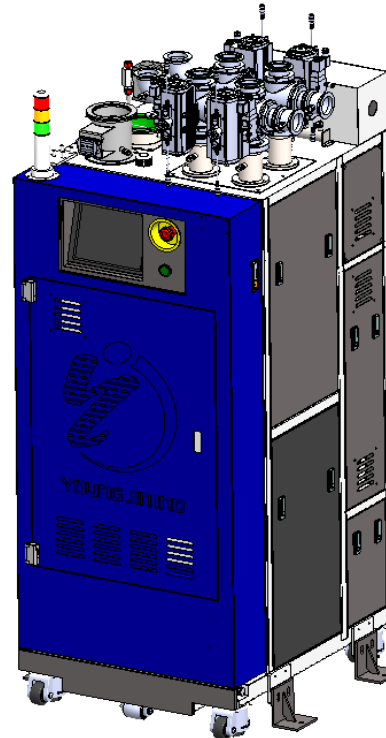
- New Concept of Plasma Scrubber



5.HPS-04F

Main Concept

- 1) CW Unused
- 2) Miniaturization (30% ↓)
compared to HPS-04M
- 3) Wastewater Reduction
- 4) Corrosion Reduction
- 5) Maintenance Method
: Module Swap



6.HPS-04U

Main Concept

- 1) Use less CW (< 1LPM),
- 2) Miniaturization (30% ↓)
Compared to HPS-04M
- 3) Wastewater Reduction
- 4) Corrosion Reduction
- 5) Use Water Tank
Instead of Cooling Module in
HPS-04F
(Possible Module Switch)
- 6) Maintenance Method
: Module Swap

Plasma Gas Scrubber Line Up (3)

- Vacuum Pump & Scrubber Integrated Type
An Integrated system of Vacuum Pump and Scrubber (IPS Series).



10.IPS-02
(2015Y)



11.IPS-04

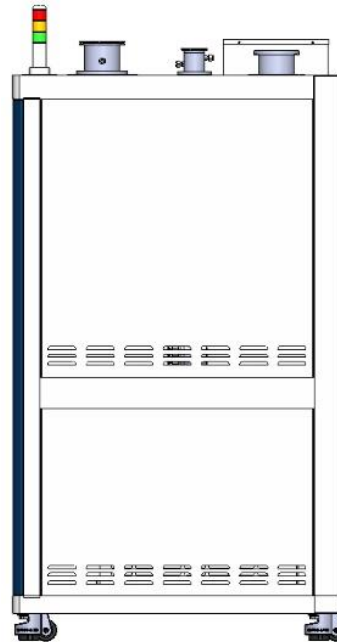
Products— PFCs Gas Abatement System

YOUNG JIN IND

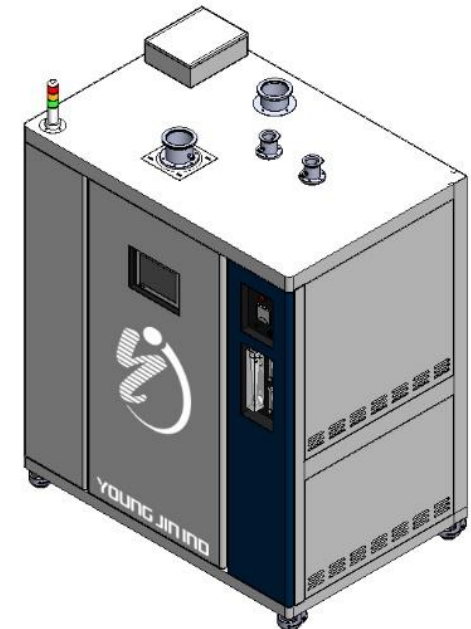
Heat Wet Scrubber Line Up (4)



Front



Side



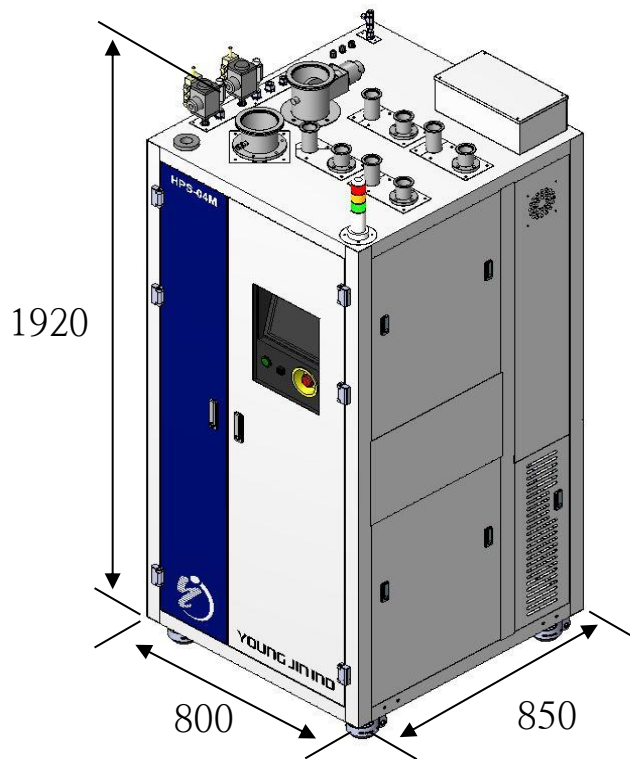
Bird View

7.YHS-15

1. What is Scrubber (Gas Abatement System)?

System for safely decomposing harmful PFCs series Gas used in the manufacturing process of semiconductors and LCDs with Thermal Plasma

2. HPS-04M Key Specifications

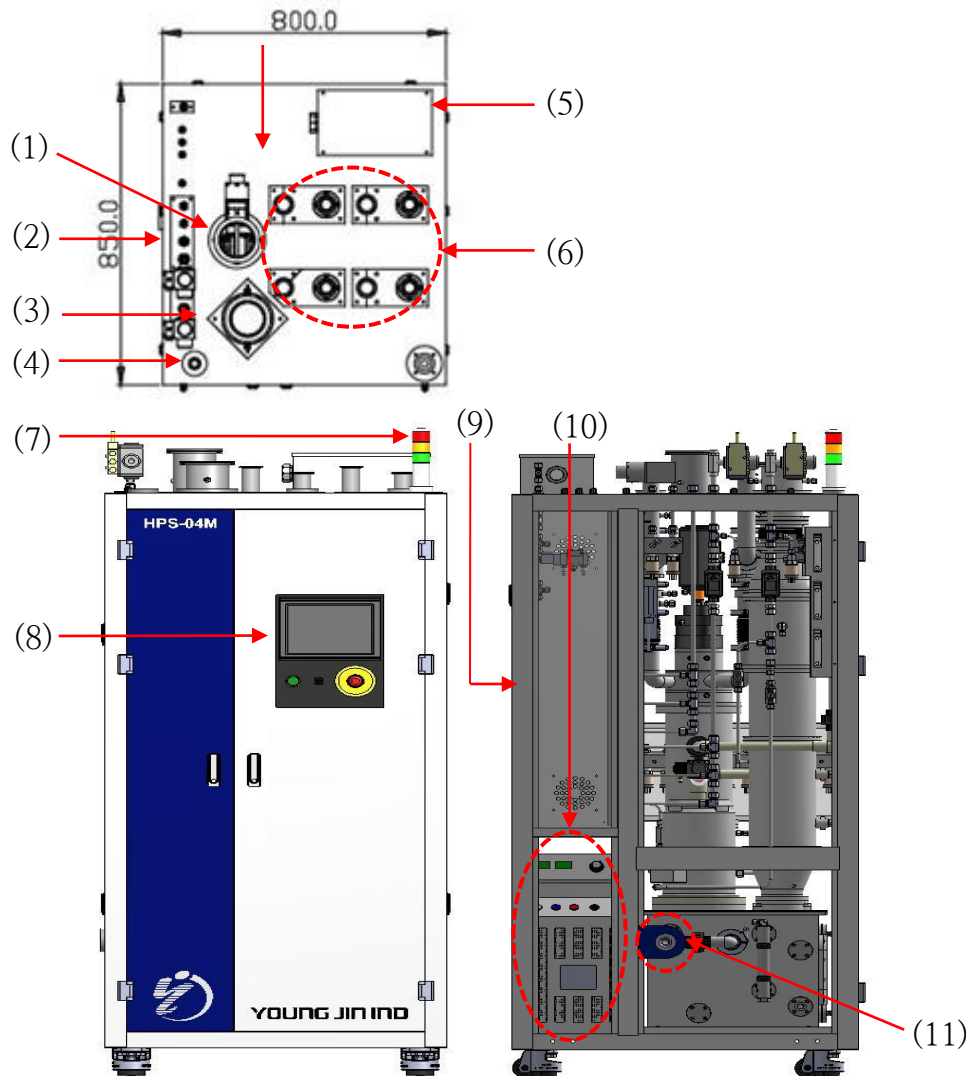


< Image of HPS-04M >

Contents	Specifications
Type	Plasma Wet
Dimension	800(W) x 850(D) x 1920(H) (unit : mm)
Capacity	400 LPM
Weight	540 kg
Inlet	NW40 X 4Port
Outlet	MF100 X 1Port
Drain	Power & Natural Drain

* Height: From Caster To Auto V/V

3. Outline and Section



No	Name
1	Thermal Exhaust Port
2	Utility Port
3	Gas Outlet Port
4	HF Drain
5	Power Box
6	Gas Inlet Port
7	Tower Lamp
8	Touch Screen
9	Main Power Part
10	Power Supply
11	Over Flow